

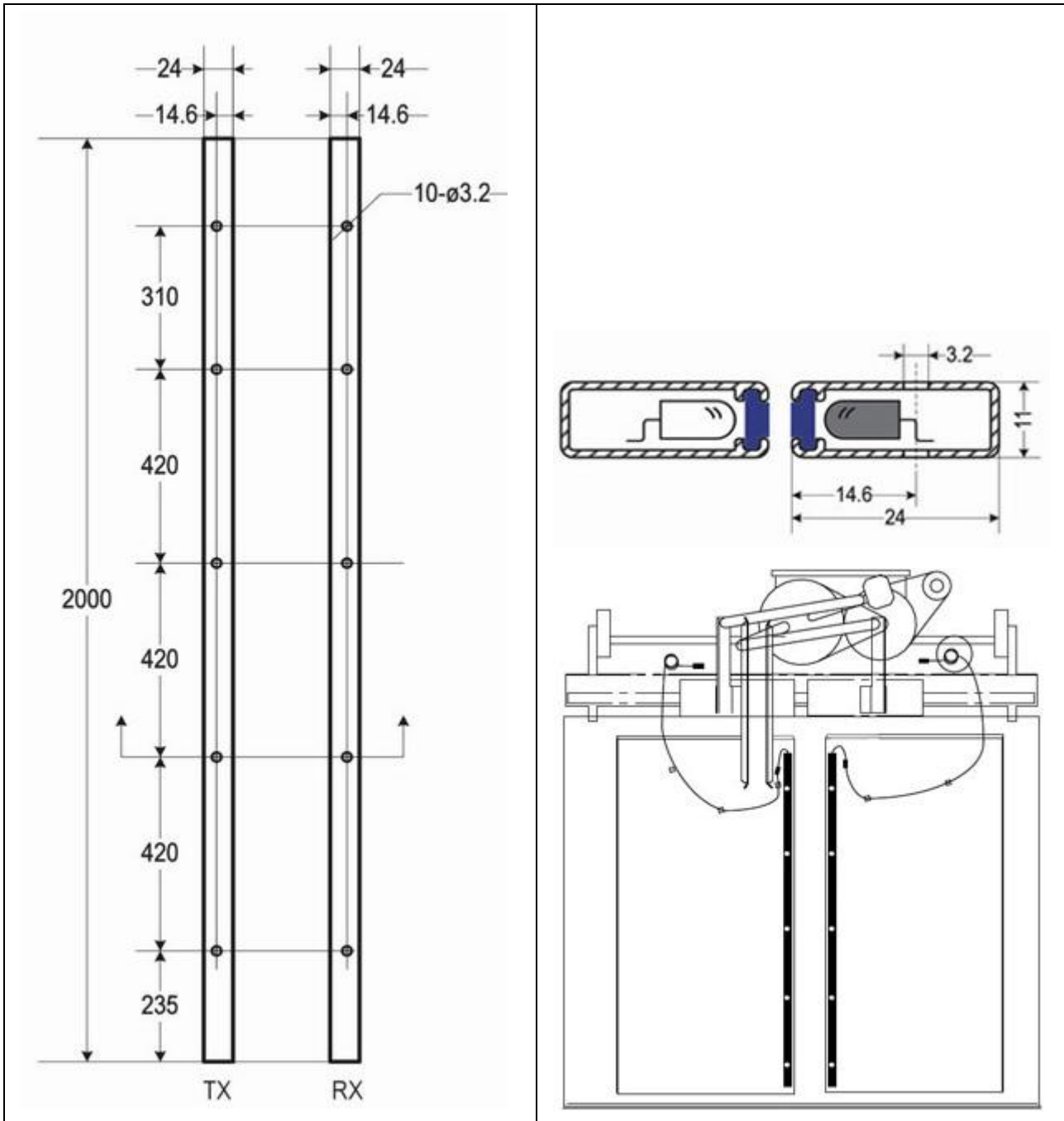
94 Beams Light Curtain Elevator Door Detector A3(NPN / PNP output,without controller)



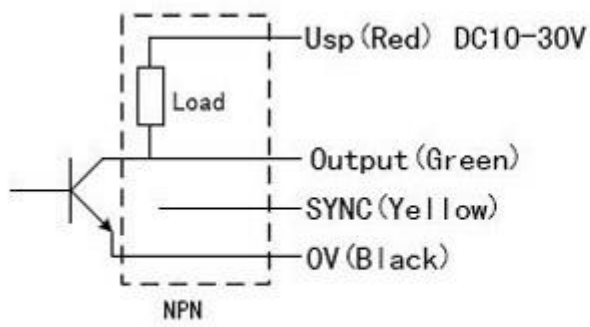
Technical Data:

Model	A3
Number of diodes	34
Maximum beams	94 beams
Highest Detecting height	1841 mm
Lowest Detecting height	20 mm
Profile dimension	2000mm (height) × 11mm (thickness) × 24mm (width)
Detecting distance	0 - 3000mm
Vertical tolerance	+/- 10mm,7°
Horizontal tolerance	+/- 3mm,5°
Response Time (Relay)	36.5ms
Cable reliability	30 million door movements
Power consumption	Output 30V,100mA
Voice reminder	Buzzer In RX,after continuous detection for 15s,buzzer On
Light immunity	≥100000 LUX
EMC compliance	Emission to EN12015, Immunity to EN12016
Operating temperature range	-20℃~+65℃
IP Rating	IP54(TX,RX)
Vibration test	Random vibration 20 to 500Hz for 4hrs per axis(X,Y,Z) Sinusoidal vibration 30Hz for 30mins per axis(X,Y,Z)

Installation drawing:

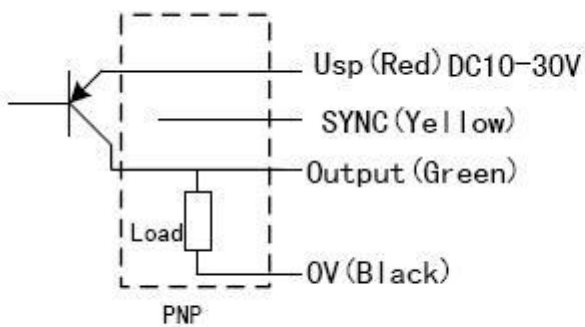


Output:



NPN MODE

Mode	OUTPUT(Green line)
NC	
NO	



PNP MODE

Mode	OUTPUT(Green line)
NC	
NO	

Packing List:

Item	Quantity
Transmitter	1 PCS
Receiver	1 PCS
Flexible Cable	2 PCS
User Manual	1 PCS
Mounting Accessories	1 SET