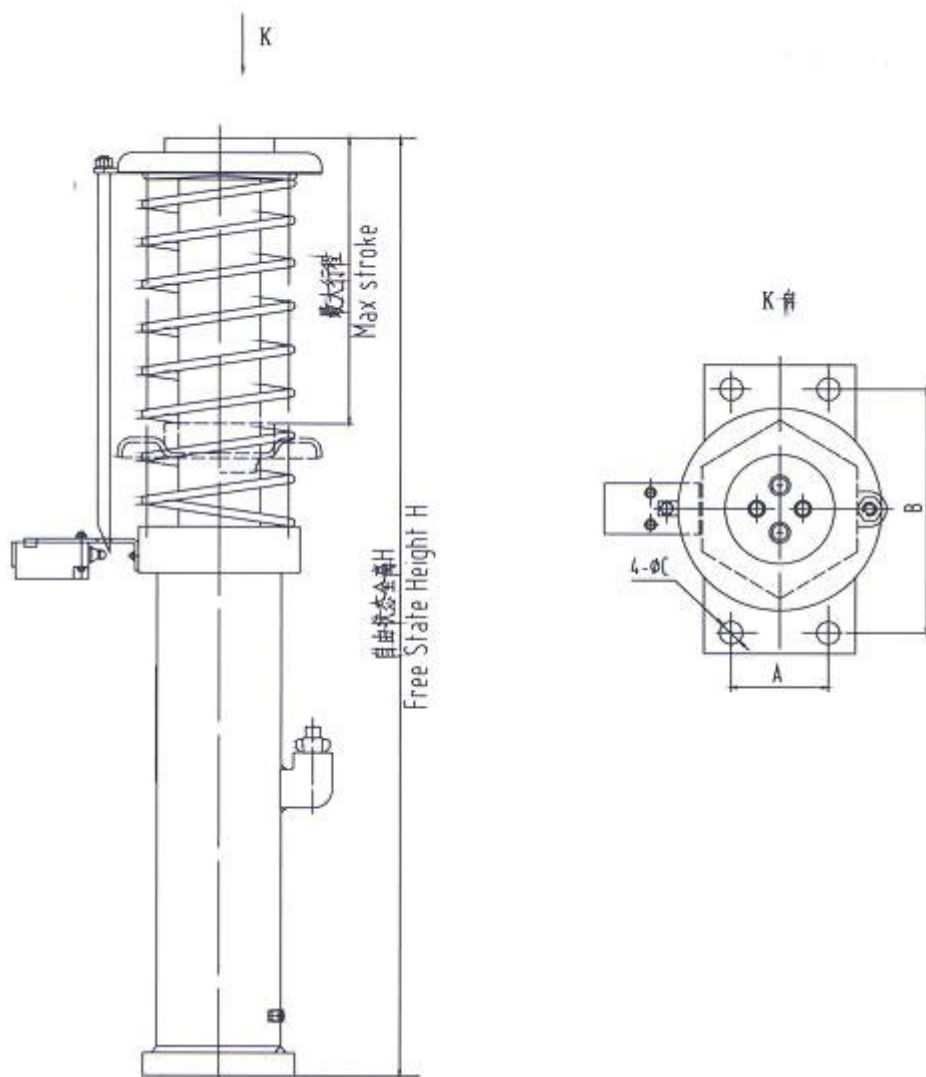


OBA Series Oil Buffer



Installation Dimension:



Specification:

Type	Load-bearing Range (Kg)	Plunger Stroke (mm)	Free State Height (mm)	Oil Cubage (L)	Rated Speed (m/s)	A (mm)	B (mm)
OBA70	900-2500	70	300	0.48	1.0	80	210
OBD220	600-2500	225	780	1.3	1.75	100	210
OBD290	800-2500	294	920	2.0	2.0	100	210
OBD450	1200-5000	450	1410	3.75	2.5	100	210